

TECHNICAL DATA

Product type Audio connector

Product NO. SL4MP

Product Appearance



Product features

- ✓ Quick, simple locking system
- ✓ Connect reliably
- ✓ Small size of product

Technical parameters

1. Electrical parameters

Contacts NO.	4
Rated current	30A rms
Rated voltage	250V ac
Contact resistance	$\leq 3\text{m}\Omega$
Dielectric strength	4kV dc
Insulation resistance	$> 1\text{G}\Omega$

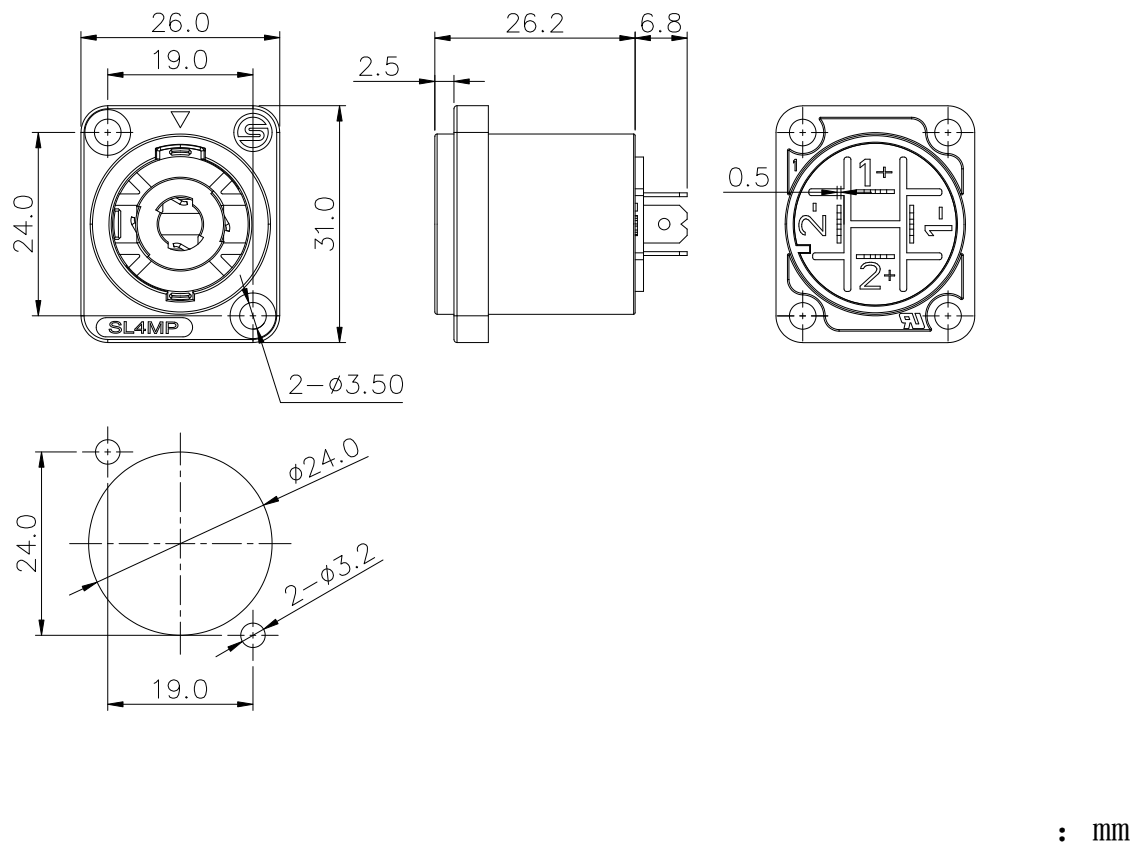
2. Mechanical parameters

Service life	> 1000
--------------	----------

3. Material and environmental parameters)

Shell	PA66+30%GF
Contacts	Cu alloy
Contact surface	Ag
Flame-retardant grade	UL94-V0
Temperature range	-30° to $+80^{\circ}$

Product Profile



Installation instructions

Socket installation direction: Before the installation