

## Technical data

Product type	<b>XLR Cable Connectors</b>
Product NO.	<b>SCMF5BG</b>

### SCMF5BG Product Appearance



### Product features

- ✓ New design for the Key, easy operate
- ✓ Metal housing with inner thread increase retention force and makes assembly easier and faster
- ✓ New ground contact-excellent contact integrity between chassis and cable connector
- ✓ Colored boots available for coding or identification
- ✓ Boot with polyurethane gland gives high protection to cable bending stresses

**Technical parameters****1. Product parameters**

Connection Type	XLR
Gender	female

**2. Electrical parameters**

Capacitance between contacts	$\leq 7\text{pF}$
Contact resistance	$\leq 3\text{m}\Omega$
Dielectric strength	1.5kVdc
Insulation resistance	$> 10\text{G}\Omega$ (initial)
Rated current per contact	7.5A
Rated voltage	$< 50\text{V}$

**3. Mechanical parameters**

Sign Cable O.D.	Black Strain relief: 3.5-6mm White Strain relief : 6-8mm
Insertion force	$\leq 20\text{N}$
Withdrawal force	$\leq 20\text{N}$
Service life	$> 1000$ mating cycles
Wire size	Max. $1.0\text{ mm}^2$
Wire size	Max. 18 AWG
Locking device	Latch lock

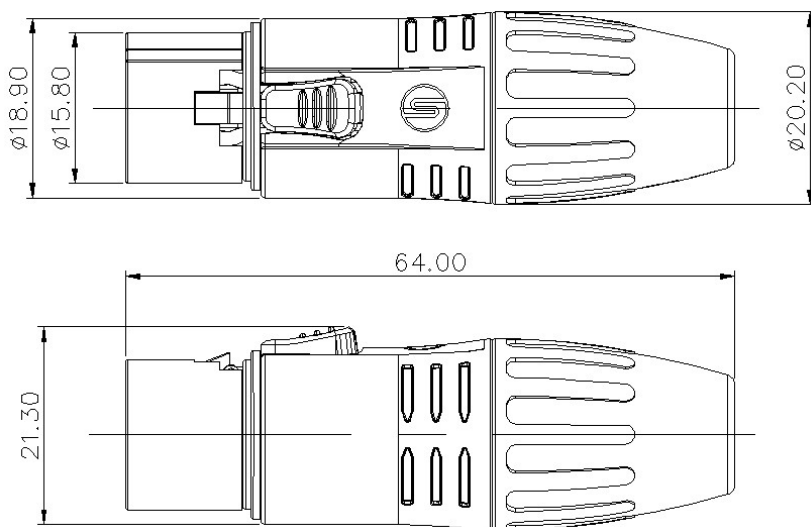
## 4. Material and environmental parameters

Boot	Polyurethan
Contacts	Cu alloy
Contact plating	Au
Insert	Polyamide (PA 66 +30 % GF)
Locking element	Zinc diecast (ZnAl4Cu1)
Shell	Zinc diecast (ZnAl4Cu1)
Shell plating	Black coating
Strain relief	Polyacetal (POM)
Flame-retardant grade	UL 94 HB
Protection class	IP40
Temperature range	-30°Cto +80°C

## 5. Standard

Standard	IEC 61076-2-103
Solderability	Complies with IEC 68-2-20

## Product Profile



mm

## Installation instructions

