

TECHNICAL DATA

Product type	Connector
Product NO.	SAC3FCA

SAC3FCA Product Appearance



Product features

- ✓ Quick, simple locking system
- ✓ Connect reliably
- ✓ Small size of product

Technical parameters

1. Electrical parameters

Contacts NO.	2+PE
Rated current	20A
Rated voltage	250V AC
Contact resistance	$\leq 5\text{m}\Omega$
Dielectric strength	4000V DC
Insulation resistance	$> 1000\text{M}\Omega$

2. Mechanical parameters

Service life	> 1000
Power lin	$2.5\text{mm}^2(8\text{mm} - 12\text{mm})$
Wire stripping length	7-8mm
Type of teminals	screw type terminals

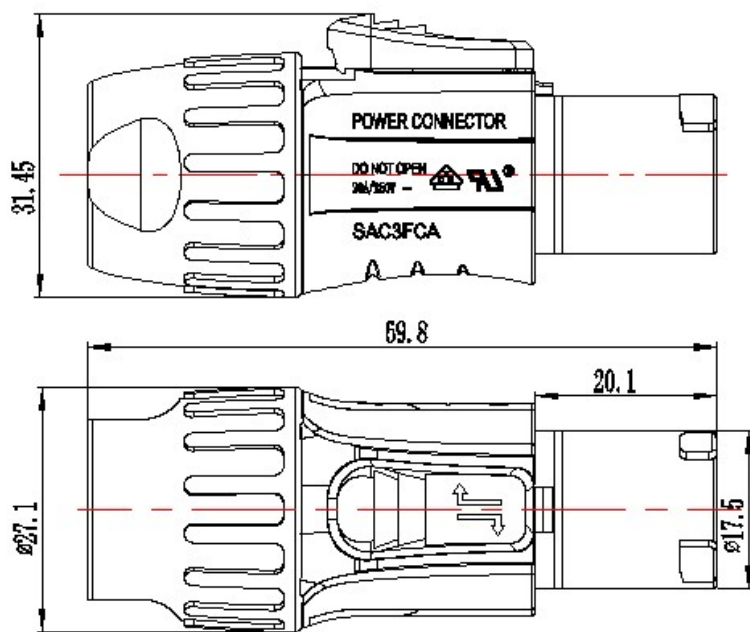
3. Material and environmental parameters

Shell	PA
Contacts	Cu alloy
Contact surface	Ag
Flame-retardant grade	UL94-V0
Temperature range	-30°C to $+80^{\circ}\text{C}$

4. Standard

Standard	IEC61984
----------	----------

Product Profile



mm

Installation instructions

