

## TECHNICAL DATA

Product type Audio connector

Product NO. ML4FCX

### 一、ML4FC-X Product Appearance



### Product features

- ✓ Quick, simple locking system
- ✓ Connect reliably
- ✓ Small size of product

**Technical parameters****1. Electrical parameters**

Contacts NO.	4
Rated current	30A rms 额定电流
Rated voltage	250V ac
Contact resistance	$\leq 3m\Omega$
Dielectric strength	4KV dc
Insulation resistance	$> 1G\Omega$

**2. Mechanical parameters**

Service life	$> 1000$
Wire diameter	4mm <sup>2</sup>

**3. Material and environmental parameters**

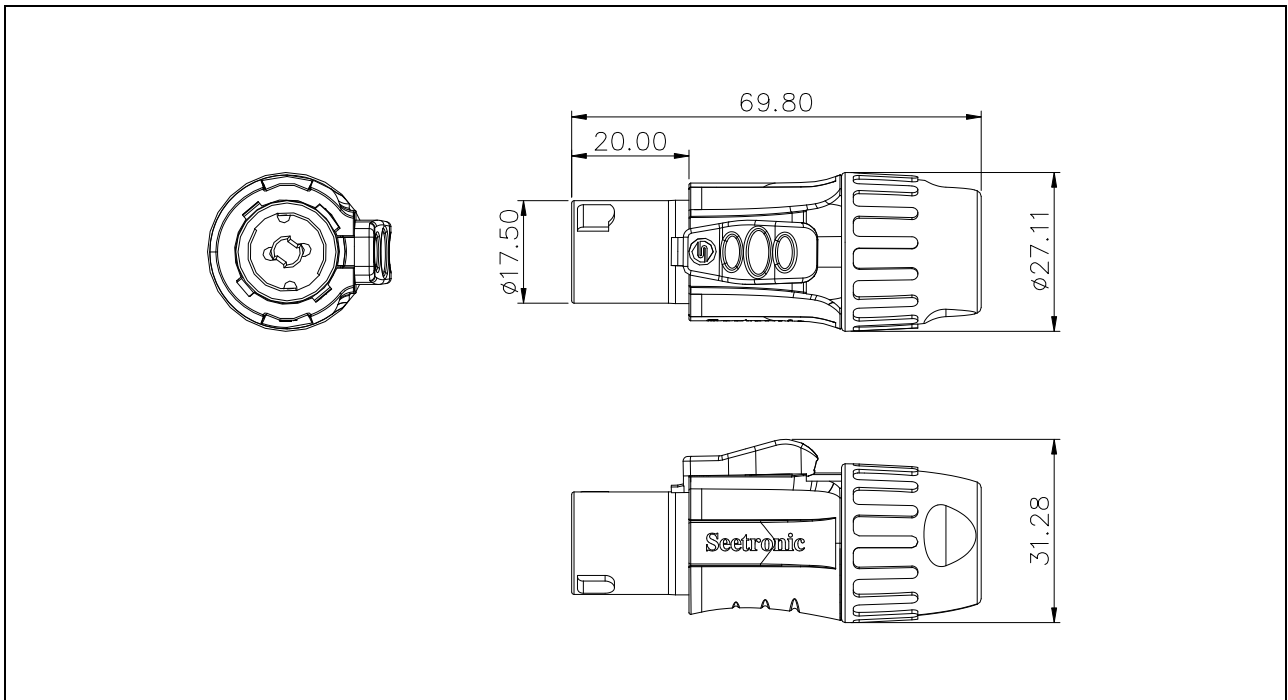
Shell	PA66+30%GF
Contacts	Cu alloy
Contact surface	Ag
Flame-retardant grade	UL94-V0
Temperature range	-30° to +80°

**4. Standard**

Standard	IEC61984
----------	----------

## Product Profile

### 1、 ML4FC-X



: mm

## Installation instruction

