



Insulation resistance	> 10GΩ (initial)
Rated current per contact	16A
Rated voltage	< 50V

## 2. Mechanical parameters

Insertion force	≤ 20N
Withdrawal force	≤ 20N
Service life	> 1000
Locking device	Latch lock
Chassis shape	D

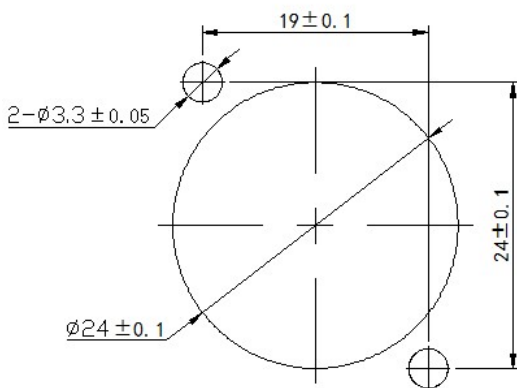
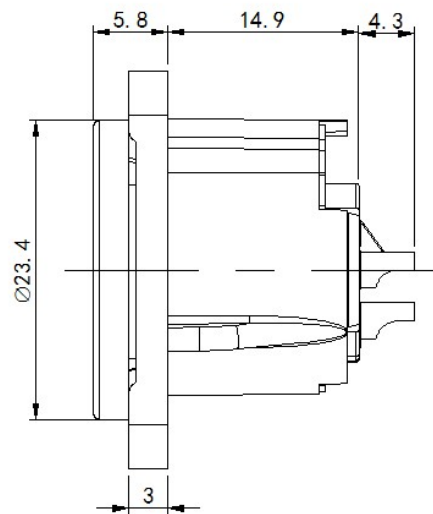
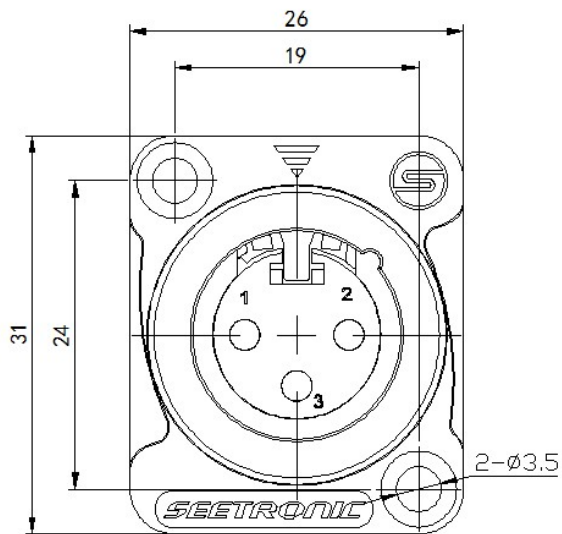
## 3. Material and environmental parameters

Contact plating	Sn Plated
Contacts	Copper alloy
Insert	Polyamide (PA66 +30%GF)
Shell	Zinc diecast (ZnAl4Cu1)
Shell plating	Pearl chrome
Flame-retardant grade	UL94 V0
Protection class	IP 40
Solderability	Complies with IEC 68-2-20
Temperature range	-30°C to +80°C

## 4. Standard

Standard	IEC 61076-2-103
----------	-----------------

## Product Profile



: mm

## Installation instructions

Panel mount: Front and rear