

# SEETRONIC

## Product Data Sheet

**Product Type**                      **Optical Fiber Coupler**

---

**Product Model**                    **SO2DFF-S**

---

**Customer Name**


---

Manufacturer	Prepared	Checked	Approved

Customer	Received	Checked	Confirmed



## Product Data Sheet

<b>Product Type</b>	<b>Optical Fiber Coupler</b>	
<b>Product Model</b>	<b>SO2DFF-S</b>	

### Product Features

- Robust and reliable dual-channel fiber coupler
- Based on LC-Duplex connectors and compatible to conventional single-mode LC connectors
- It can achieve IP65 waterproof grade when used with SO2M plug
- Feed-through connection with automatic sealing shutter



## Product Data Sheet

### Product Parameters

Item	Specification
Connection type	Coupler
Gender	Female-to-Female
Connector type	Single-mode PC

### Electrical Parameters

Item	Specification
Contact resistance	< 7 mΩ
Rated current	6 A
Rated voltage	< 50 V
Dielectric strength	1.5 kV dc
Insulation resistance	> 2 GΩ (initial)
Rated current per contact	Contact 1+4, 9 A, Contact 2+3, 6 A



## Product Data Sheet

### Mechanical Parameters

Item	Specification
Service Life	> 1000 mating cycles
Insertion Force	< 45 N
Locking Device	Push-pull

### Material and Environmental Parameters

Item	Specification
Housing	Aluminum alloy
Split sleeve	Ceramics
Insert	PA66
Contacts	Bronze
Contact plating	Au
Temperature range	-30°C ~ +80°C

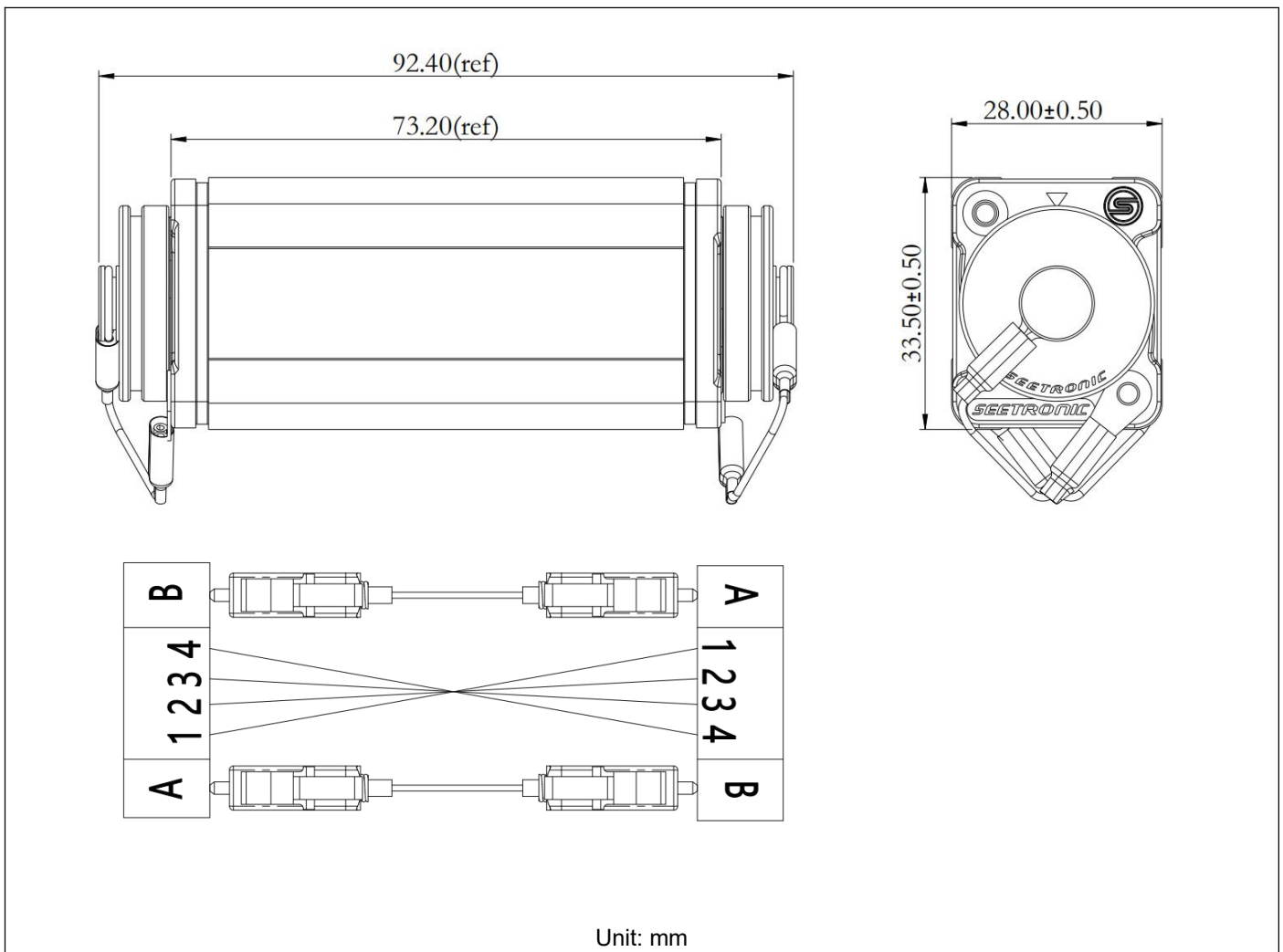


## Product Data Sheet

### Optical Properties

Item	Specification
Insertion loss	< 0.4dB@1310nm/1550nm
Optical connector	LC-Duplex

### Product Drawing



## Product Data Sheet

### Packaging Method

Pearl cotton protective packaging, 1 product per small box

### Accessory

- |  |  |
|--|--|
| <input checked="" type="checkbox"/> No accessories | <input type="checkbox"/> Back fastener plate |
| <input type="checkbox"/> Screws and Nuts           | <input type="checkbox"/> Other               |

### Instructions

Open the stainless steel dust cover, insert the SO2M connector into one side of SO2DFF-S, and operate the other side in the same way to complete the connection of two optical fiber cables.

