

I4TCOUPPL6AIP68

IP68 CAT6A RJ45 FEMALE-FEMALE FIELD COUPLER

+ BENEFITS

- IP68 protection level suitable to harsh environments : dustproof & waterproof
- ZAMAC shielding 360°
- 1/4 turn waterproof lock
- Toolless assembly



IP 68



DESCRIPTION / APPLICATIONS

- CAT6A RJ45 female/female straight junction coupler for Industrial Ethernet RJ45 CAT6A network
- Field mounting
- IP68 protection rating
- Suitable to harsh environments (industrial, outdoor, ...)
- Ea class link performance
- Zamac shielding to avoid electromagnetic interference

NORMS

- Ethernet base T up to 10Gbits/s
- IEEE 802.3af/at/bt (PoE / PoE+/4pPoE)
- ISDN
- UL 1863

ENVIRONMENTAL PROPERTIES

OPERATING TEMPERATURE :
-25°C to +50°C

CONFORM TO :
RoHS and REACH

ELECTRICAL PROPERTIES

CURRENT :

1.5A

CONTACT RESISTANCE:

20mΩ

ISOLATION RESISTANCE:

500MΩ

DIELECTRIC WITHSTAND VOLTAGE :

1000Vac - 60Hz

MECHANICAL / TECHNICAL PROPERTIES

COATING:

Plastic ring : PA 66

Connector : Zn+Ni alloy

SHIELDING : Zamac

INSERTION CYCLE : 750 cycles

CONTACT : Bronze, platine Ni+Au 1.2μm

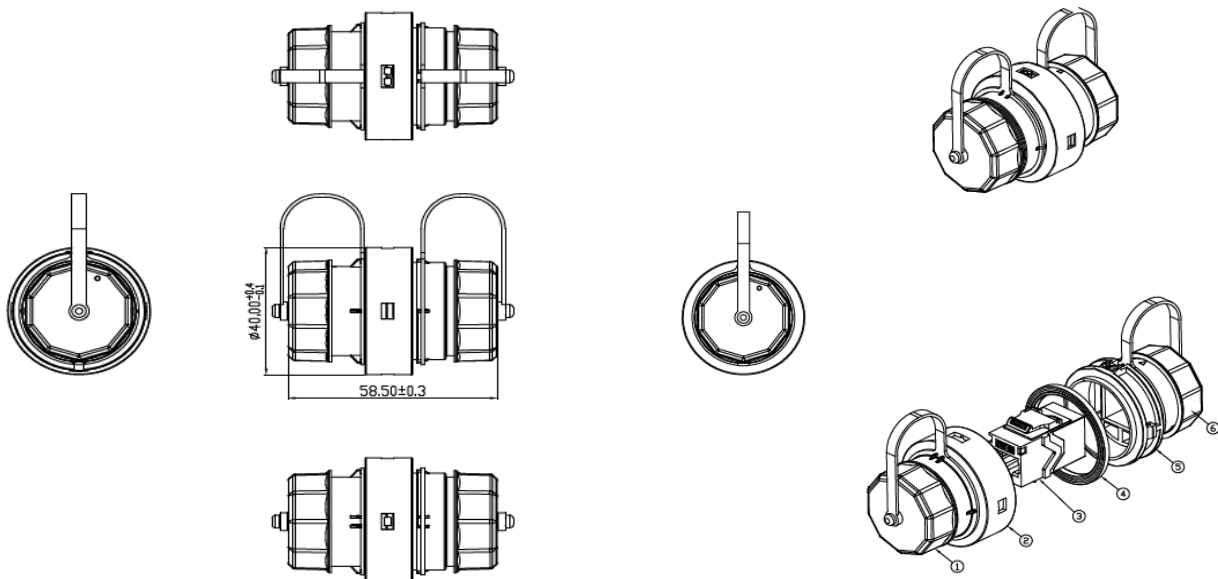
INSERTION FORCE : 30N

PERFORMANCES

| SYSTEM |
|------------------------|
| TIA 568-C.2 CAT6A |
| ISO 11801 Ed3 Class Ea |
| EN 50173-1 |

| APPLICATION |
|---------------------------------------|
| IEEE 802.3af/at/bt (PoE / PoE+/4pPoE) |

DRAWINGS



ORDER INFORMATION

| P/N | DESCRIPTION | PACKAGING |
|---------------|---|-----------|
| I4TCOUP6AIP68 | IP68 Cat6A RJ45 female-female field coupler | Unit |

ASSOCIATED PRODUCTS



I4PLUGIP68
IP68 RJ45 CAT6A plug



I4PLST6AIP68
IP68 RJ45 CAT6A field plug