

I4PLST6AFSIP68 IP68 CAT6A RJ45 SHIELDED PLUG

+ BENEFITS

- IP68 protection class
- Shielded ZAMAC 360°
- 1/4 turn waterproof lock
- Easy and quick to wire
- 4PPoE compliant



DESCRIPTION / APPLICATIONS

- RJ45 CAT6A plug suitable to harsh environments (industry, outdoor, ...)
- IP68 protection rating
- Toolless assembly and connexion
- Compliant to all standards required for structured cabling
- ZAMAC shielding for mechanical resistance and electromagnetic interferences protection
- Solid wire AWG 22-26
- Stranded wire AWG 24-26
- Cable diameter accepted : 6.5-8.5mm

NORMS

- Ethernet base T up to 10Gbits/s
- ISDN
- IEEE 802.3af/at/bt (PoE / PoE+/4PPoE)
- UL 1863
- IEC 60603-7-51
- ISO/IEC 11801-3

ENVIRONMENTAL PROPERTIES

OPERATING TEMPERATURE :
-25°C to +50°C

CONFORM TO :
RoHS and REACH

ELECTRICAL PROPERTIES

MAX CURRENT :

1.5A

CONTACT RESISTANCE:

20mΩ

ISOLATION RESISTANCE:

500MΩ

DIELECTRIC WITHSTAND VOLTAGE:

1000Vac

INSERTION CYCLE:

750 cycles

OPERATING TEMPERATURE :

-25°C to +50°C

MECHANICAL / TECHNICAL PROPERTIES

COATING:

Body : PA 66

Connector : Zn alloy+Nickel Plated

SHIELD :

Zamac

INSERTION CYCLE : 750 cycles

CONTACTS : Phosphor bronze with 50μ gold plating

COLOR CODE :

AWG ADMISSIBLE : 22-26 solid

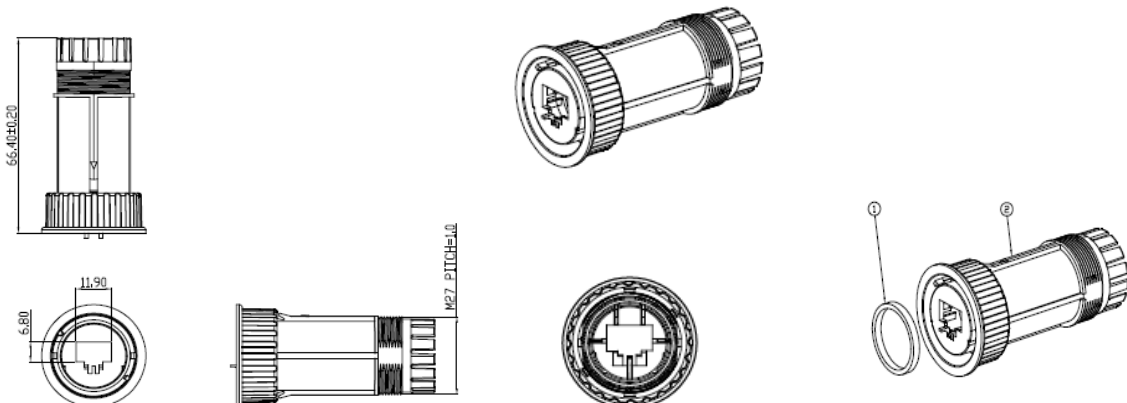
24-26 stranded

PERFORMANCES

SYSTEM
TIA 568-C.2 CAT6A
ISO 11801 Ed3 Class Ea
EN 50173-1

APPLICATION
IEEE 802.3af/at (PoE / PoE+)

DRAWINGS



ORDER INFORMATION

P/N	DESCRIPTION	PACKAGING
I4PLST6AFSIP68	IP68 RJ45 CAT6A field plug	Unit

ASSOCIATED PRODUCTS



I46AFSIP68
IP68 CAT6A RJ45 shielded connector



I4COUPL6AIP68
IP68 CAT6A shielded coupler



I4CAPPLUG
Sealing cap for RJ45 plug