

I4JONC6AIP68

IP68 CAT6A IDC JUNCTION

+ BENEFITS

- IP68 protection level suitable to harsh environments : dustproof & waterproof
- 1/4 turn waterproof lock
- Toolless field assembly : Easy and quick to wire
- Shielding 360°
- Conform 4PPoE



IP 68



10 G. BITS



DESCRIPTION / APPLICATIONS

- IDC junction for RJ45 Cat6A ethernet links suitable to harsh environments (industrial, outdoor, ...)
- Allows quick repair of a rigid or patch damaged cable
- Recommended for consolidation point execution on permanent link below 75m
- Toolless assembly and connection
- 360° Zamac shielding for protection against electromagnetic interference
- Solid AWG 22-26
- Stranded AWG 23-27
- Colour code EIA/TIA A, B and PROFINET
- Diameter of cable allowed : 6,0 - 8,5 mm

NORMS

- | | |
|---|-------------------|
| - Ethernet base T up to 10Gbits/s | - UL 1863 |
| - ISDN | - IEC 60603-7-51 |
| - IEEE 802.3af/at/bt (PoE / PoE+/4PPoE) | - ISO/IEC 11801-3 |

ELECTRICAL PROPERTIES

MAX CURRENT :

1.5A

CONTACT RESISTANCE:

20mΩ

ISOLATION RESISTANCE

500MΩ

DIELECTRIC WITHSTAND VOLTAGE:

1000Vac

INSERTION CYCLE:

750 cycles

OPERATING TEMPERATURE :

-25°C to +50°C

MECHANICAL / TECHNICAL PROPERTIES

COATING: PA66 (rings)-Zn alloy+Nickel Plated (connector)

SHIELDING : Zamac

CONTACTS : Phosphor bronze with 50μ gold plating

CODE COULEUR : EIA/TIA 568 A, B and PROFINET

AWG ADMISSIBLE : 22-26 solid

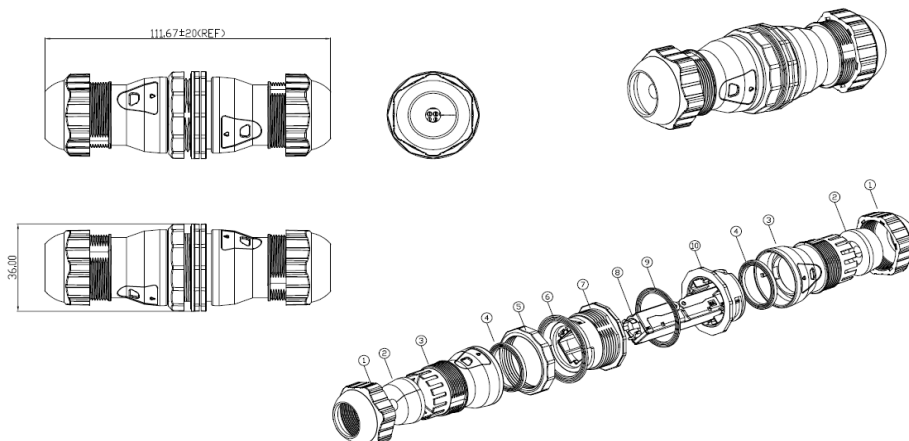
23-27 stranded

PERFORMANCES

CONNECTOR
IEC 60603-7-51 CAT6A
EN 50173-1
TIA/EIA-568-C.2
Insertion force : 30N
Conform RoHS and REACH

SYSTEM
TIA 568-C.2 CAT6A
ISO 11801 Ed3 Class Ea
EN 50173-1
IEEE 802.3af/at/bt (PoE / PoE+/4PPoE) 100W

DRAWINGS



ORDER INFORMATION

P/N	DESCRIPTION	PACKAGING
I4JONC6AFSIP68	IP68 RJ45 CAT6A IDC junction	Unit

ASSOCIATED PRODUCTS



I4T6AFSIP68

IP68 Cat6A RJ45 toolless field connector



I4TCOUP6AIP68

IP68 Cat6A RJ45 female-female field coupler