

I46AFSIP68

IP68 CAT6A RJ45 SHIELDED CONNECTOR

+ BENEFITS

- IP68 protection level suitable to harsh environments : dustproof & waterproof
- Shielded ZAMAC 360°
- 1/4 turn waterproof lock
- Easy and quick to wire



IP 68



DESCRIPTION / APPLICATIONS

- ZAMAC type alloy shell for electromagnetic interferences protection
- IP68 protection rating
- Suitable to harsh environments (industrial, outdoor, ...)
- Toolless assembly and connexion
- Can be mounted in waterproof boxes of Industry 4.0 range

NORMS

- Ethernet base T up to 10Gbits/s
- ISDN
- IEEE 802.3af/at/bt (PoE / PoE+/4pPoE)
- UL 1863
- IEC 60603-7-51

ENVIRONMENTAL PROPERTIES

OPERATING TEMPERATURE :

-25°C to +50°C

CONFORM TO :

RoHS and REACH

ELECTRICAL PROPERTIES

CURRENT:

1.5A

CONTACT RESISTANCE:

20mΩ

ISOLATION RESISTANCE :

500MΩ

DIELECTRIC WITHSTAND VOLTAGE :

1000Vac - 60Hz

OPERATING VOLTAGE :

48V

MECHANICAL / TECHNICAL PROPERTIES

COATING : PA 66 - Silicon rubber

INSERTION CYCLE : 750 cycles

SHIELDING : Zamac

CONTACTS : Bronze, platine Ni+Al 1.2μm

INSERTION FORCE : 30N

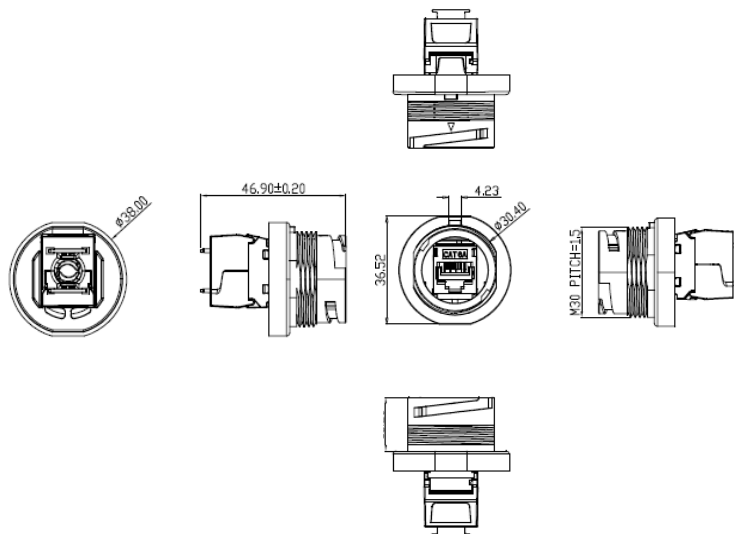
AWG ADMISSIBLE : 22-26 solid
24-26 stranded

PERFORMANCE

SYSTEM
TIA 568-C.2 CAT6A
ISO 11801 Ed3 Class Ea
EN 50173-1

APPLICATION
IEEE 802.3af/at/bt (PoE / PoE+/4pPoE)

DRAWINGS



ORDER INFORMATION

P/N	DESCRIPTION	CONDITIONING
I46AFSIP68	IP68 CAT6A RJ45 shielded connector	Unit

ASSOCIATED PRODUCTS



I4PLUGIP68
IP68 RJ45 CAT6A Plug



I4CAPRJ
IP67 coupler or connector cap



I4BOXIP67xC
IP67 sealing box one or two connector(s)