

CR-KP1 & CR-KP2

15 or 9 Button Wall-Mount Keypad Control Systems

OPERATION MANUAL

DISCLAIMERS

The information in this manual has been carefully checked and is believed to be accurate. CYP (UK) Ltd assumes no responsibility for any infringements of patents or other rights of third parties which may result from its use.

CYP (UK) Ltd assumes no responsibility for any inaccuracies that may be contained in this document. CYP (UK) Ltd also makes no commitment to update or to keep current the information contained in this document.

CYP (UK) Ltd reserves the right to make improvements to this document and/or product at any time and without notice.

COPYRIGHT NOTICE

No part of this document may be reproduced, transmitted, transcribed, stored in a retrieval system, or any of its part translated into any language or computer file, in any form or by any means—electronic, mechanical, magnetic, optical, chemical, manual, or otherwise—without express written permission and consent from CYP (UK) Ltd.

© Copyright 2020 by CYP (UK) Ltd.

All Rights Reserved.

Version 1.1

TRADEMARK ACKNOWLEDGMENTS

All products or service names mentioned in this document may be trademarks of the companies with which they are associated.

SAFETY PRECAUTIONS

Please read all instructions before attempting to unpack, install or operate this equipment and before connecting the power supply.

Please keep the following in mind as you unpack and install this equipment:

- Always follow basic safety precautions to reduce the risk of fire, electrical shock and injury to persons.
- To prevent fire or shock hazard, do not expose the unit to rain, moisture or install this product near water.
- Never spill liquid of any kind on or into this product.
- Never push an object of any kind into this product through any openings or empty slots in the unit, as you may damage parts inside the unit.
- Do not attach the power supply cabling to building surfaces.
- Use only the supplied power supply unit (PSU). Do not use the PSU if it is damaged.
- Do not allow anything to rest on the power cabling or allow any weight to be placed upon it or any person walk on it.
- To protect the unit from overheating, do not block any vents or openings in the unit housing that provide ventilation and allow for sufficient space for air to circulate around the unit.

REVISION HISTORY

VERSION NO.	DATE	SUMMARY OF CHANGE
v1.00	23/01/2017	First release
V1.01	24/04/2020	Revised layout. Added conditional commands, device polling support, and UDP support. Added installation instructions.

CONTENTS

1. Introduction	6
2. Applications	6
3. Package Contents	6
4. System Requirements	7
5. Features	7
6. Operation Controls and Functions	8
6.1 Front Panel	8
6.2 Rear Panel.....	9
6.3 Physical Installation	10
6.4 WebGUI Control	12
6.5 Telnet Control.....	33
6.6 Serial and Telnet Commands.....	34
7. Connection Diagram	40
7.1 UK 2-gang Diagram	40
7.2 UK 1-gang Diagram	41
8. Specifications	42
8.1 Technical Specifications (UK 2-gang)	42
8.2 Technical Specifications (UK 1-gang)	43
9. Acronyms	44

1. INTRODUCTION

These keypads are versatile and useful products for both system integrators and smart home users alike. These keypads can send commands to any Ethernet controlled or relay controllable device in your system. With up to 15 physical macro buttons and up to an additional 45 software macro buttons (9 physical and 27 software buttons on the 1-gang version) you can pre-program and recall up to 60 (36 on the 1-gang version) distinct macros providing for complete control over your audio and video environment.

The soft and colorful LED buttons are suitable for all environments and PoE (Power over Ethernet) support allows for creative placement of the keypad within your space without needing to be concerned about keeping it near a live power source. Additionally, the integrated clock and calendar based scheduling feature allows you to trigger macros to control devices within your installation at a specific time, or on a recurring schedule.

2. APPLICATIONS

- /// Smart Home Control
- /// Control Center
- /// Function Room
- /// Product Showroom
- /// Ballroom

3. PACKAGE CONTENTS

- /// 1× Control Keypad (UK 2-gang or 1-gang)
- /// 1× 5V/2.6A DC Power Adapter
- /// 1× USB Type A to USB Mini B OTG Connector
- /// 1× Terminal Block Connector
- /// 2× Button Sticker Sheets (60pcs)
- /// 1× Operation Manual

4. SYSTEM REQUIREMENTS

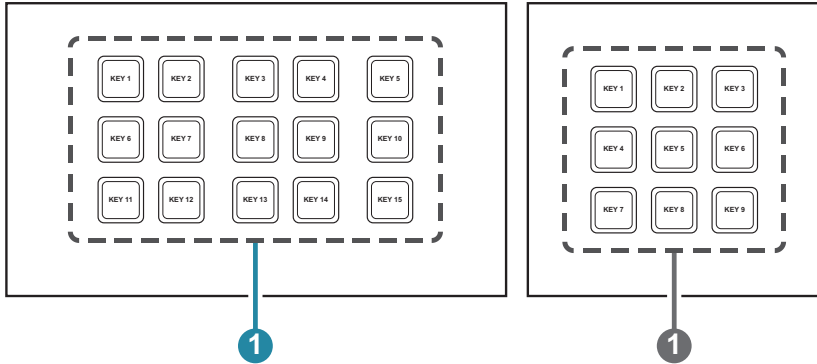
- /// An active Internet connection from a switch or router for control of Ethernet devices.
- /// A PoE supporting network switch or hub is required to use the PoE power function, otherwise access to a local power outlet is needed.

5. FEATURES

- /// UK 2-gang or 1-gang wall plate design
- /// Adjustable LED button brightness
- /// 60 (36 on the 1-gang) macros for controlling user equipment
- /// Up to 128 total commands can be stored and used across all macros in the system (up to 16 per macro)
- /// Supports switchable relays to control compatible devices
- /// Supports time and date macro scheduling (single and recurring)
- /// Supports condition checking within macro commands for expanded macro design flexibility
- /// Supports one month of backup power for the internal clock and schedule function to protect against blackouts and temporary power loss
- /// Supports customizable daylight savings time configuration
- /// Can be powered by an Ethernet switch that supports the IEEE 802.3af PoE standard (Optional)
- /// Controllable via keypad, Telnet and WebGUI

6. OPERATION CONTROLS AND FUNCTIONS

6.1 Front Panel



- 1 KEY 1~15 (1~9) Buttons:** Each button activates the customizable macro that has been assigned to it. All buttons contain a pair of colored LEDs (red and blue) with macro controllable individual brightness levels from 0~100.

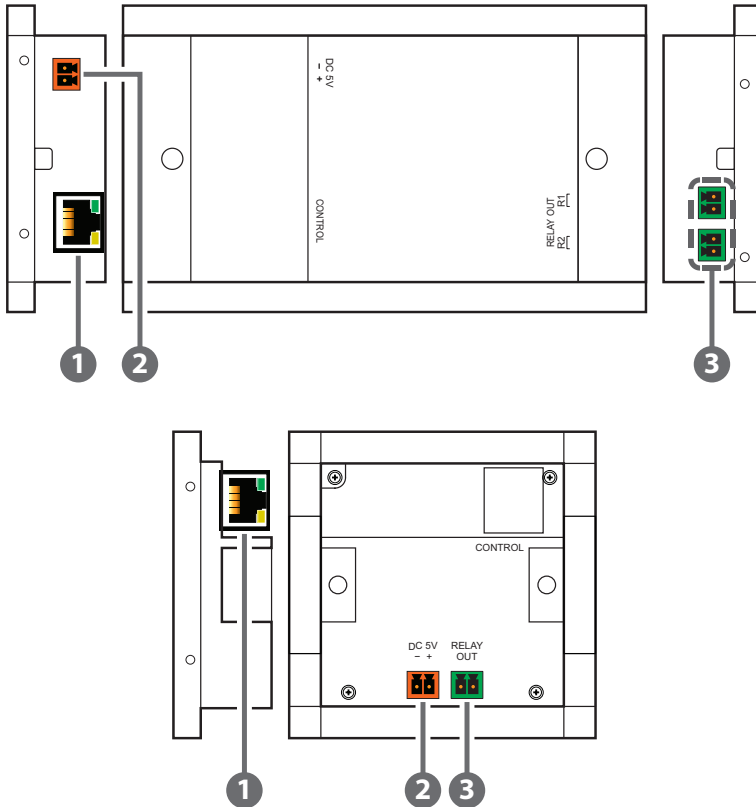
Note: Further details on macro configuration settings please refer to section 6.4.

- 2 RESET Pinhole (Hidden behind the wall plate):** Pressing this pinhole button in combination with various keys will reset different aspects of the unit to their factory default.

Note: The unit must already be powered on before the buttons are pressed.

- **USB firmware update:** Plug the USB mass storage device on the USB port hidden behind the wall plate, press and hold Key 1 and the pinhole button simultaneously to update the firmware.
- **Ethernet Reset:** Press and hold Key 6 (Key 4 on the 1-gang version) and the pinhole button simultaneously to reset the unit's Ethernet settings to their factory default state.
- **Keypad LED Default Settings:** Press and hold Key 11 (Key 7 on the 1-gang version) and the pinhole button simultaneously to reset the Keypad LED Default Setting which switch on all blue LED, switch off all red LED, and demo mode is on.

6.2 Rear Panel



- 1 CONTROL Port:** Connect to an active Ethernet network via a switch or router to allow it to control other devices on the network and to be accessed via Telnet/WebGUI.

Note: If the connected network switch supports the IEEE 802.3af PoE (Power over Ethernet) standard, this unit can optionally be powered directly via this Ethernet connection.

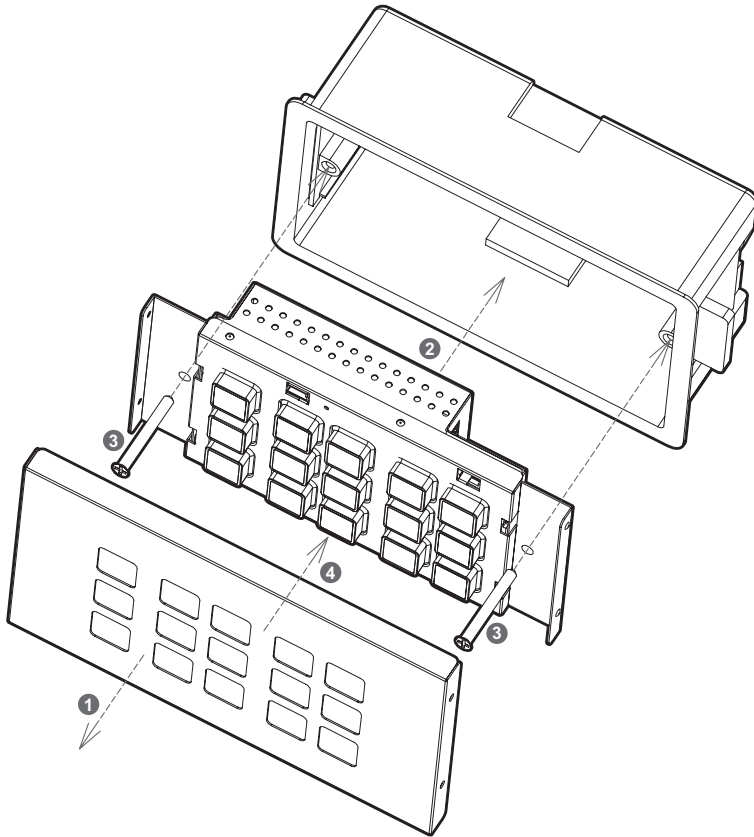
- 2 DC 5V 2-pin Terminal Block:** Plug the 24V DC power adapter into this port and connect it to an AC wall outlet for power.

Note: Optional, not required if the unit is powered via PoE.

- 3 RELAY OUT Terminal Block(s):** Connect to devices that can be powered and controlled via a DC 0~24V/5A relay connection.

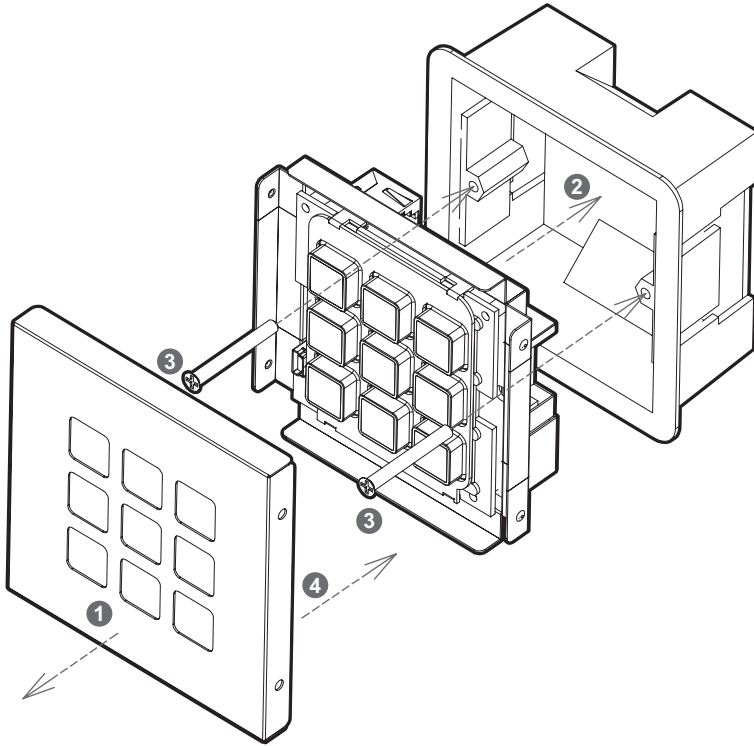
6.3 Physical Installation

6.3.1 UK 2-gang



- 1 Remove the decorative faceplate from the front of the unit by pulling on it gently.
- 2 Place the unit into a UK 2-gang electrical wall box (not included) and ensure that all necessary cabling (Ethernet, power, relay) is properly fed through the back access holes in the wall box and connected to the back of the unit.
- 3 Secure the unit in place with appropriate mounting screws. Typically these are supplied with the electrical wall box.
- 4 Reattach the decorative faceplate to the front of the unit.

6.3.2 UK 1-gang



- 1 Remove the decorative faceplate from the front of the unit by pulling on it gently.
- 2 Place the unit into a UK 1-gang electrical wall box (not included) and ensure that all necessary cabling (Ethernet, power, relay) is properly fed through the back access holes in the wall box and connected to the back of the unit.
- 3 Secure the unit in place with appropriate mounting screws. Typically these are supplied with the electrical wall box.
- 4 Reattach the decorative faceplate to the front of the unit.

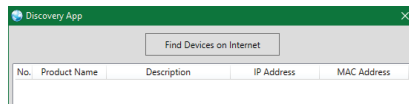
6.4 WebGUI Control

Device Discovery

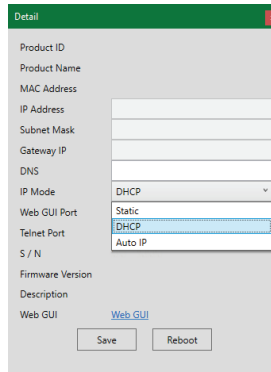
Please obtain the “Device Discovery” software from your authorized dealer and save it in a directory where you can easily find it.

Connect the unit and your PC/Laptop to the same active network and execute the “Device Discovery” software. Click on “Find Devices on Internet” and a list of devices connected to the local network will show up indicating their current IP address.

Note: The unit’s default IP address is 192.168.1.50.



By clicking on one of the listed devices you will be presented with the network details of that particular device.

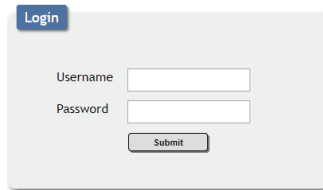


- 1) **IP Mode:** If you choose, you can alter the static IP network settings for the device, or switch the unit into DHCP mode to automatically obtain proper network settings from a local DHCP server. To switch to DHCP mode, please select DHCP from the IP mode drop-down, then click “Save” followed by “Reboot”.
- 2) **WebGUI Hotkey:** Once you are satisfied with the network settings, you may use them to connect via Telnet or WebGUI. The network information window provides a convenient link to launch the WebGUI directly.

WebGUI Overview

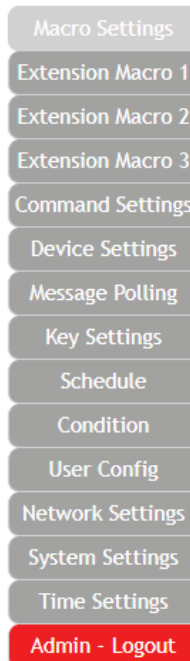
After connecting to the WebGUI's address in a web browser, the login screen will appear. Please enter the appropriate user name and password then click "Submit" to log in.

Note: The default user name and password is "admin".



A screenshot of a web browser login form. The form is titled "Login" in a blue box at the top left. It contains two input fields: "Username" and "Password", each with a white text box and a small arrow on the right. Below the "Password" field is a "Submit" button with a grey background and white text.

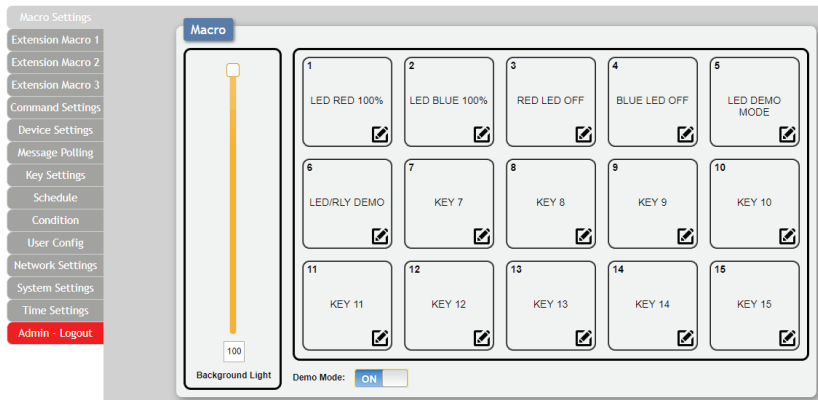
On the left side of the browser you will see the following menu tabs where all primary functions of the unit are controllable via the built in WebGUI. The individual functions will be introduced in the following sections.



Clicking the red “Logout” tab will automatically log the currently connected user out of the WebGUI and return to login page.

6.4.1 Macro Settings Tab

This tab provides a way to execute/edit the settings for the unit’s physical macro buttons. These macros can be executed by pressing the physical buttons on the keypad as well as via the WebGUI or Telnet. Control over the LED button master backlight level and Demo Mode is also provided here.

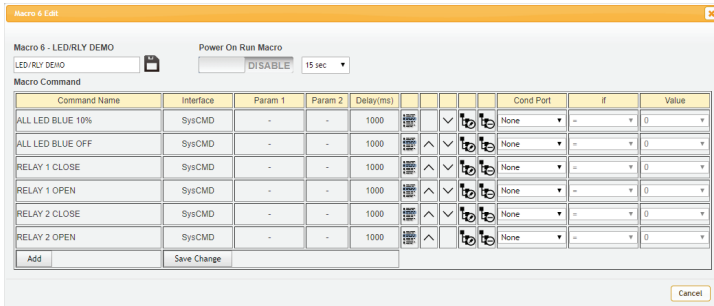


1) **Macro Buttons:** Press any of these buttons to activate the macro currently stored within it. Hovering the mouse over a button will list its current macro contents. Click on the edit icon (✎) to edit each button’s macro.

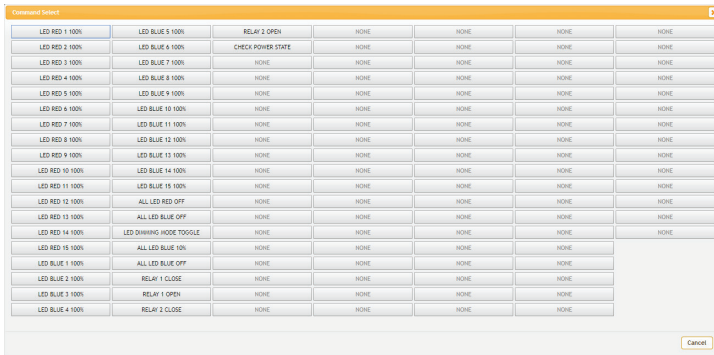
There are 6 macros defined by default for testing the Wall Plate Control System’s functionality. Click on macros 1~6 to demonstrate various LED light commands.

- **Macro 1 (LED RED 100%):** Sequentially light all red LEDs on the keypad with 100% brightness and a delay of 500ms between commands.
- **Macro 2 (LED BLUE 100%):** Sequentially light all blue LEDs on the keypad with 100% brightness and a delay of 500ms between commands.
- **Macro 3 (RED LED OFF):** Switch off all red LEDs. (Set brightness to 0%).

- **Macro 4 (BLUE LED OFF):** Switch off all blue LEDs. (Set brightness to 0%).
 - **Macro 5 (LED DEMO MODE):** LED Demo Mode toggle. (Switch Demo Mode on/off).
 - **Macro 6 (LED/RLY DEMO):** Light the blue LEDs with 10% brightness → set all blue LEDs to 0% brightness → close then open Relay 1 followed by Relay 2 (UK 2-gang only) with a delay of 1000ms between commands.
- 2) **Background Light:** This slider allows the user to adjust the overall maximum brightness of the keypad’s LEDs. This setting defines the brightness level when an LED is set to “100%”.
- 3) **Demo Mode:** This switch enables or disables the LED Demo Mode. When Demo Mode is active, the unit will automatically turn the LEDs on and off in various patterns.
- Note: LED Demo Mode is on by default. Pressing a physical button on the unit will temporarily pause Demo Mode so that normal macros may be executed. Demo Mode will automatically resume after 1 minute of idle time.*
- 4) **Macro Edit:** Click on any button’s edit icon (✎) to edit that button’s macro. The Macro Edit window displays the full contents of the macro including it’s name as well as each command’s communication interface to use with its associated parameters, delay time before executing the next command, and conditional execution requirements. The order of command execution is from top to bottom. When you have finished editing the macro click on “Save Change”.



- **Edit Macro Name:** At the top of the Macro edit window is a text field where you can edit the name of the macro. Type your new macro name into the box and then click the disc icon (📁) to save it.
- **Power On Run Macro:** Enable or disable this macro being automatically executed every time unit powers on. An execution start delay must also be set with a range of 1 to 240 seconds.
- **Add Command:** Click on the command icon (⌨️) to insert a new command before the current one or click on the “Add” button to add a command to the end of the list. Select one of the pre-defined commands from the provided list.



After selecting a command, you will need to choose the delay and interface for the command.

Note: Details on how to create these pre-defined commands are provided in section 6.3.3.

- **Change Command Order:** Within the edit window clicking on the up/down arrows will change the execution order of each command.
- **Set Destination:** Clicking on the edit icon (🔍) allows you to edit the post-execution delay value as well as set the interface and all associated settings for that command.

The “Delay(ms)” setting is the length of time to wait before sending the next command and is set in milliseconds. The interface for sending commands can be set to the Keypad itself (SysCMD), to pre-defined Ethernet devices (Device), to a specified IP address using the Telnet or UDP protocols, or to the relay port (Relay).

Sending commands to devices on the local network, or across the Internet requires the IP address and network port number of the destination device. Once the destination information is complete please click on “Save Changes”.

Note: It is strongly suggested to not set a delay time less than 100ms for system commands or less than 500ms for Telnet commands to ensure that the command is properly received and executed before the next command is sent.

- **Remove Command:** Clicking on the delete icon (🗑️) will remove that command from the execution list.
- **Execution Condition:** Use the dropdowns to set a specific condition for each step in the macro to execute or not. If an execution condition tests as “false” when it is time to execute that command, then that step of the macro will be skipped. Selecting “None” means the macro command will always be executed.

Cond Port	if	Value
1 ▼	= ▼	0 ▼
None ▼	>	0 ▼
None ▼	>=	0 ▼
None ▼	<	0 ▼
None ▼	<=	0 ▼
None ▼	!=	0 ▼

To configure a condition test, select the Condition Port to read a value from, select a logical comparison expression, and then select a static value to use for the comparison.

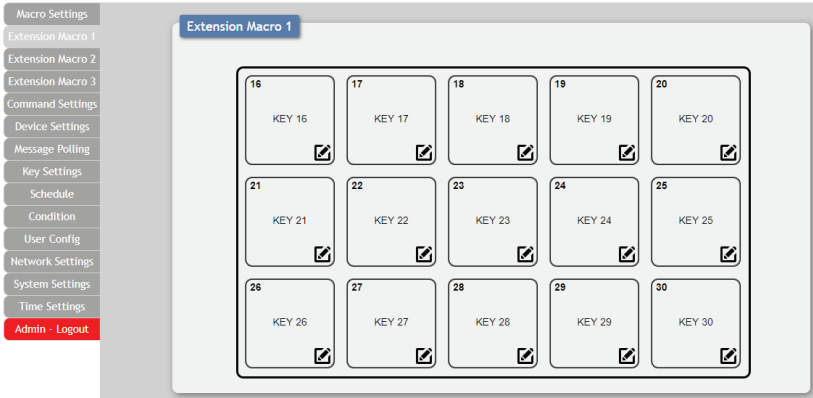
For example, if the following choices are made:

Cond Port [1], If [=], Value [0]

Then the unit will check the value of Condition Port #1 and if the value stored there equals "0" then the test will return "true" and the macro step will execute. If the stored value is any other number, it will return "false" and the macro step will be skipped.

6.4.2 Extension Macro 1~3 Tabs

The three “Extension Macro” tabs provide a way to execute/edit the additional software-only macro buttons. These macros can only be executed via the WebGUI or Telnet. Macro activation and editing in these tabs is identical to the Macro Settings tab.



6.4.3 Command Settings Tab

This tab provides a way to create, edit or delete commands. The number of commands that can be stored in the keypad is limited by memory. It is generally recommended that commands be under 128 characters long (including spaces). However, if longer commands are needed there is limited support for commands up to 512 characters long. The number of (up to) 512 character commands is limited to 32 and the remaining 96 commands must be under 128 characters.

Command Name	Command	Edit	Delete
LED RED 1 100%	LEDRED 1 100x0d0a	Edit	Remove
LED RED 2 100%	LEDRED 2 100x0d0a	Edit	Remove
LED RED 3 100%	LEDRED 3 100x0d0a	Edit	Remove
LED RED 4 100%	LEDRED 4 100x0d0a	Edit	Remove
LED RED 5 100%	LEDRED 5 100x0d0a	Edit	Remove
LED RED 6 100%	LEDRED 6 100x0d0a	Edit	Remove
LED RED 7 100%	LEDRED 7 100x0d0a	Edit	Remove
LED RED 8 100%	LEDRED 8 100x0d0a	Edit	Remove
LED RED 9 100%	LEDRED 9 100x0d0a	Edit	Remove
LED RED 10 100%	LEDRED 10 100x0d0a	Edit	Remove
LED RED 11 100%	LEDRED 11 100x0d0a	Edit	Remove
LED RED 12 100%	LEDRED 12 100x0d0a	Edit	Remove
LED RED 13 100%	LEDRED 13 100x0d0a	Edit	Remove
LED RED 14 100%	LEDRED 14 100x0d0a	Edit	Remove
LED RED 15 100%	LEDRED 15 100x0d0a	Edit	Remove
LED BLUE 1 100%	LEDLUE 1 100x0d0a	Edit	Remove

- 1) Command Edit:** To edit or create a new command, click on the “Edit” button. The name of the command and its text contents can be entered here.

- **Condition Port Values:** Values that are stored within one of the unit’s 64 Condition Ports can be inserted into a command by using

the escape sequence format “\cN1N2” where N1 is the 2-digit Condition Port number and N2 defines the preferred formatting of the value using the common C++ “%” string formatting style (%d, %x, etc.).

- **Special Characters:** Special control characters that can’t normally be typed should be entered using their ASCII hex value preceded by the “\x” escape sequence. For example, a carriage return and linefeed would be entered as: “\x0d\x0a”. Click on “Save Change” to save the command.
 - **SYS Commands:** Any of the unit’s own Telnet commands can be used as commands within a macro to directly control the unit’s features such as LED brightness, Demo Mode, etc. To use these the command interface should be set to SysCMD.
 - **Relay Commands:** If a command is intended to control the unit’s relay interface, the only valid commands are “CLOSE” and “OPEN”.
- 2) **Command Delete:** To completely remove a command from the unit, click on the “Remove” button next to the command.

Note: If the deleted command was used in any macros, it will be removed from them as well.

6.4.4 Device Settings Tab

This tab provides controls to enable/disable or add/remove standard network connected devices to be used as the interface target for a macro command. Up to 16 devices can be defined for easy use with commands. The name of each device can be up to 24 characters long (spaces are not allowed). A valid IP address and network port are required for each device. These settings are directly linked to any associated macro commands.

Active	Device Name	IP Address	Connect Port	Edit	Remove
ENABLE	Sample Device	192.168.1.99	23	Edit	DEL
DISABLE				Edit	DEL
DISABLE				Edit	DEL
DISABLE				Edit	DEL
DISABLE				Edit	DEL
DISABLE				Edit	DEL
DISABLE				Edit	DEL
DISABLE				Edit	DEL
DISABLE				Edit	DEL
DISABLE				Edit	DEL
DISABLE				Edit	DEL
DISABLE				Edit	DEL
DISABLE				Edit	DEL
DISABLE				Edit	DEL
DISABLE				Edit	DEL

- 1) Active:** Once a device has been defined, it can be enabled or disabled as an available target device by clicking on the button.
- 2) Edit Device:** Clicking on the “Edit” button opens up the Edit Device window. Here the target device’s name, IP address and Telnet port can be set. Click on “Save Change” to save the device’s configuration.

Device 1 Edit
✕

Device Name

IP Address

Connect Port

3) Remove Device: To completely remove a device definition from the unit, click on the “DEL” button next to the device.

Note: If a deleted device was used as the target of any commands in a macro, those command entries will automatically be removed from the macros as well.

6.4.5 Message Polling Tab

This tab provides controls to enable/disable or add/remove Polling Command events. Up to 16 Polling events can be defined. Polling Command events are used to check the current status of various functions on Ethernet based remote devices, typically to verify power or selection status for the purpose of changing LED colors or setting Condition Port values.

Note: Polling events operate on independent timers once enabled.

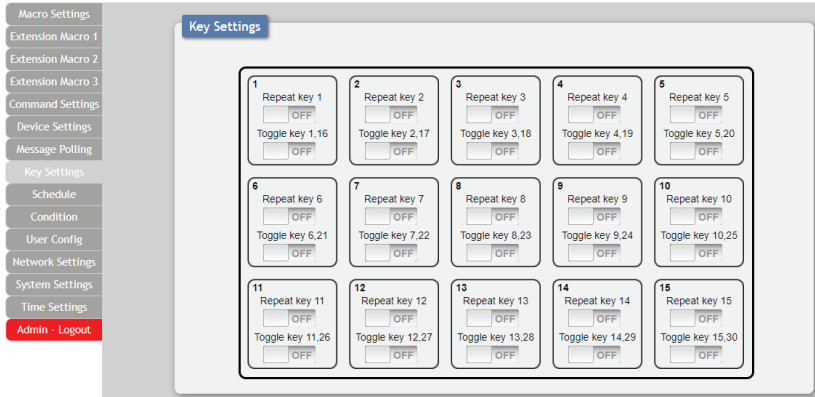
Macro Settings									
Message									
Active	Name	Time(sec)	Device	Status Command	Compare String	If True Do Macro	Edit	Remove	
ENABLE	Check Power Off	1	Sample Device	CHECK POWER STATE	OFF	LED RED 100%	Edit	DEL	
ENABLE	Check Power On	1	Sample Device	CHECK POWER STATE	ON	LED BLUE 100%	Edit	DEL	
DISABLE							Edit	DEL	
DISABLE							Edit	DEL	
DISABLE							Edit	DEL	
DISABLE							Edit	DEL	
DISABLE							Edit	DEL	
DISABLE							Edit	DEL	
DISABLE							Edit	DEL	
DISABLE							Edit	DEL	
DISABLE							Edit	DEL	
DISABLE							Edit	DEL	
DISABLE							Edit	DEL	
DISABLE							Edit	DEL	
DISABLE							Edit	DEL	
DISABLE							Edit	DEL	

- 1) Active:** Once a Polling Command has been defined, it can be enabled or disabled by clicking on the “Enable/Disable” button.
- 2) Edit Polling:** Clicking on the “Edit” button opens up the Edit Polling window. Here the Polling Command’s full configuration can be set. Click on “Save Change” to save the Polling Command’s configuration.

- **Name:** Enter a name for this Polling Command.
 - **Time(sec):** Enter the time interval to wait, in seconds, between polling transmissions. The minimum wait time is 1 second.
 - **Device:** Use the dropdown to select a pre-defined target Device to send the Polling Command to.
 - **Status Command:** Click on the “Change” button to select a pre-defined Command from the provided list. This command will be sent to the target Device at the defined interval.
 - **Compare String:** Enter a text string to compare against the result returned by the Status Command.
 - **If True Do Macro:** Use the dropdown menu to select a preconfigured macro. If the polling comparison returns a “true” result, run this macro.
- 3) **Remove Polling:** To completely remove a Polling Command from the unit, click on the “DEL” button next to it.

6.4.6 Key Settings Tab

This tab provides controls to enable/disable the “Repeat” and “Toggle” modes associated with each of the unit’s physical macro buttons.



- 1) **Repeat Key:** Enabling this mode will cause the button’s macro to be executed repeatedly as long as the button is being held down.
- 2) **Toggle Key:** Enabling this mode will link the two listed macros together and allow them to be toggled back and forth each time the associated button is pressed.

6.4.7 Schedule Tab

This tab provides options to control the built in scheduling features of the keypad. You can set macro events to repeat on a regular daily/weekly schedule or configure a one-time event on a specific date. Events can be edited and deleted from the main tab by clicking on the appropriate button. The system can store up to 32 repeating events and up to 8 one-time events.

Note: Each scheduled item must be set as “Active” for it to activate at the scheduled time.

The screenshot shows the 'Schedule' tab interface. On the left is a sidebar menu with the following items: Macro Settings, Extension Macro 1, Extension Macro 2, Extension Macro 3, Command Settings, Device Settings, Message Polling, Key Settings, Schedule (highlighted), Condition, User Config, Network Settings, System Settings, Time Settings, and Admin - Logout. The main content area is titled 'Schedule' and contains two tables.

Repeat Table:

Active	Weekly	Hour	Minute	Second	Macro	Edit	Delete
V	Mon, Tue, Wed, Fri	10	36	14	LED DEMO MODE	Edit	Remove
	Mon Sat	18	14	00	LED RED 100%	Edit	Remove
		00	00	00		Edit	Remove
		00	00	00		Edit	Remove
		00	00	00		Edit	Remove
		00	00	00		Edit	Remove

Once Table:

Active	Month	Date	Hour	Minute	Second	Macro	Edit	Delete
V	10	15	14	17	07	LEDPLY DEMO	Edit	Remove
	00	00	00	00	00		Edit	Remove
	00	00	00	00	00		Edit	Remove
	00	00	00	00	00		Edit	Remove
	00	00	00	00	00		Edit	Remove
	00	00	00	00	00		Edit	Remove

- Schedule Repeat:** Items in this section will execute at their set times on the selected days (Sunday through Saturday) every week as long as they are marked as “Active”. Click on “Save Change” to save the changes to the scheduled event.

Schedule - Repeat 1 Edit

Active

ACTIVE

Weekly

Sun Mon Tue Wed Thu Fri Sat

Time

10:36:14

Macro/Extension Macro

5 - LED DEMO MODE

Macro

1 - LED RED 100%

2 - LED BLUE 100%

3 - RED LED OFF

4 - BLUE LED OFF

5 - LED DEMO MODE

6 - LED/RLY DEMO

7 - KEY 7

8 - KEY 8

9 - KEY 9

10 - KEY 10

11 - KEY 11

12 - KEY 12

13 - KEY 13

14 - KEY 14

15 - KEY 15

Extension Macro 1

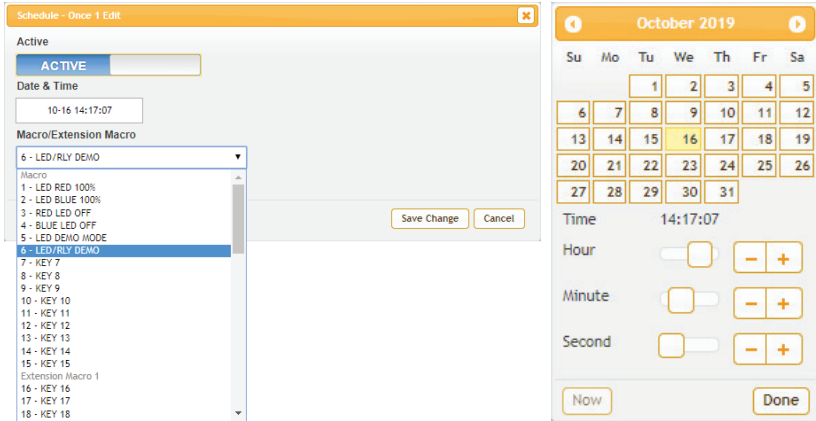
16 - KEY 16

17 - KEY 17

18 - KEY 18

Save Change Cancel

- **Active:** Click this to toggle if the scheduled event is active or disabled.
 - **Weekly:** Select the days of the week that the event should be executed on, when active.
 - **Time:** Set the time that the event should begin execution on all selected days, when active.
 - **Macro/Extension Macro:** Use the dropdown to select the Macro or Extension Macro to execute.
- 2) **Schedule Once:** Items in this section are scheduled to occur a single time at the specified time and date. Each item will automatically change to “None Active” after they have been executed once. Click on “Save Change” to save the changes to the scheduled event.



- **Active:** Click this to toggle if the scheduled event is active or disabled.
- **Date & Time:** Click within the Time/date box to open up the time/date selection window. Use the available controls to set the activation time and date for the current event schedule.
- **Macro/Extension Macro:** Use the dropdown to select the Macro or Extension Macro to execute.

6.4.8 Condition Tab

This tab displays the current contents of all 64 Condition Ports and is for information display only.

The screenshot shows the 'Condition Status' tab with a table of 64 ports. The table has 8 columns labeled Port 1 through Port 8, and 8 rows labeled Port 1 through Port 8. The data in the table is as follows:

Port 1	Port 2	Port 3	Port 4	Port 5	Port 6	Port 7	Port 8
1	72	14	4	0	0	0	0
Port 9	Port 10	Port 11	Port 12	Port 13	Port 14	Port 15	Port 16
0	0	0	0	0	0	0	0
Port 17	Port 18	Port 19	Port 20	Port 21	Port 22	Port 23	Port 24
0	0	0	0	0	0	0	0
Port 25	Port 26	Port 27	Port 28	Port 29	Port 30	Port 31	Port 32
0	0	0	0	0	0	0	0
Port 33	Port 34	Port 35	Port 36	Port 37	Port 38	Port 39	Port 40
0	0	0	0	0	0	0	0
Port 41	Port 42	Port 43	Port 44	Port 45	Port 46	Port 47	Port 48
0	0	0	0	0	0	0	0
Port 49	Port 50	Port 51	Port 52	Port 53	Port 54	Port 55	Port 56
0	0	0	0	0	0	0	0
Port 57	Port 58	Port 59	Port 60	Port 61	Port 62	Port 63	Port 64
0	0	0	0	0	0	0	0

6.4.9 User Config Tab

This tab provides User Configuration options including changing the password for the Administrator account, and both the user name and password for the General User account.

Note: The default Administrator username and password is "admin". The default General User username and password is "user".

The screenshot shows the 'Web & Telnet Login Configuration' tab. It contains two sections: 'Administrator' and 'General User'. Each section has input fields for 'Old Password', 'New Password', and 'Confirm New Password', along with a 'Save' button.

Administrator

- Old Username: admin
- Old Password: [input field]
- New Password: [input field]
- Confirm New Password: [input field]
- Save button

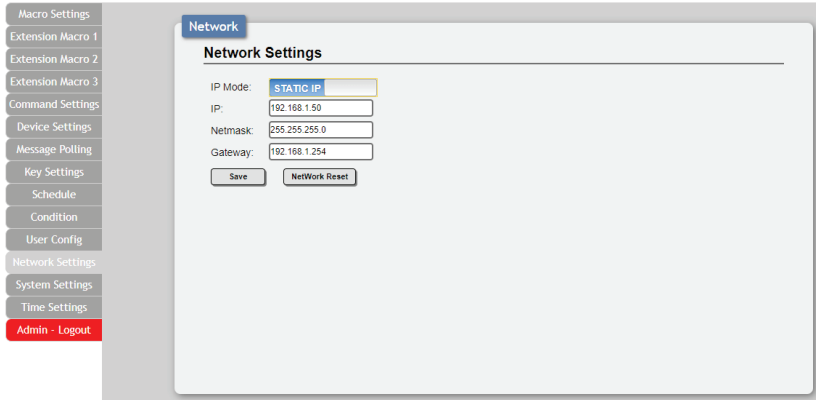
General User

- Username: [input field]
- Old Password: [input field]
- New Password: [input field]
- Confirm New Password: [input field]
- Save button

Note: The General User account has limited access to the WebGUI and can only activate pre-configured Macro and Extension Macro buttons.

6.4.10 Network Settings Tab

This tab provides controls to change the network settings for the unit. You can manually set the IP address, netmask and gateway address in “Static IP” mode, or you can obtain an IP address automatically by enabling DHCP.

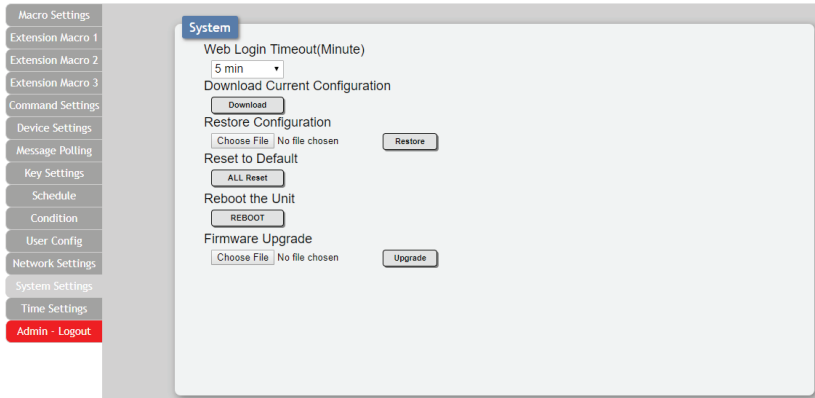


- 1) **Network Settings:** IP mode may be switched between Static IP or DHCP. In Static IP mode the IP, netmask and gateway addresses may be manually set. When in DHCP mode, the unit will attempt to connect to a local DHCP server and obtain IP, netmask and gateway addresses automatically. Please press “Save” after making any changes to the IP configuration or mode. To return all network settings to their defaults, press the “Network Reset” button.

Note: If the IP address is changed then the IP address required for WebGUI/ Telnet access will also change accordingly.

6.4.11 System Settings Tab

This tab provides controls to make changes to various system settings.

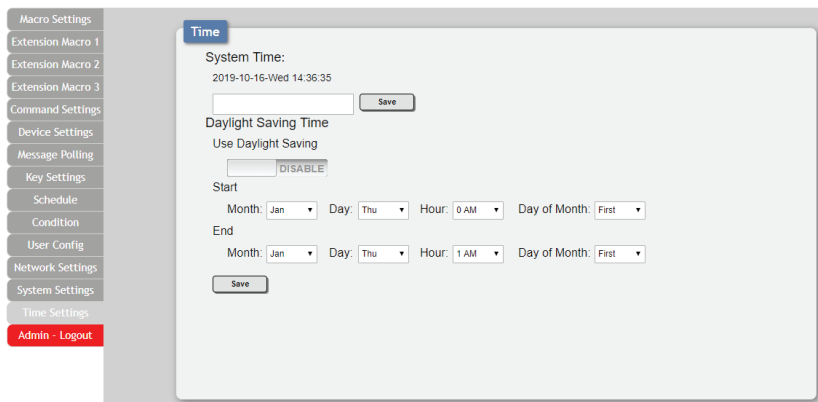


- 1) **Web Login Timeout:** Set the length of time, in minutes, to wait before logging the user out of the WebGUI due to inactivity. This can be set from 5 to 60 minutes.
- 2) **Download Current Configuration:** The current system configuration, including routing and settings, may be saved as an XML file to a PC. Click the “Download” button to save the current system configuration to your local PC. This file will also include all macros, commands, and scheduled events.
- 3) **Restore Configuration:** Previously saved system configurations may be restored from a saved XML file. Click the “Choose File” button to locate the saved XML file, then click the “Restore” button.
- 4) **Reset to Default:** Press the “ALL Reset” button to reset the unit to its factory default state. After the reset is complete, the unit will reboot automatically.
Note: All customized macros, commands, and scheduled events will also be reset to their factory defaults.
- 5) **Reboot the Unit:** Click this button to manually reboot the unit.
- 6) **Firmware Upgrade:** To update the unit's firmware, click the “Choose File” button to open the file selection window and then select the firmware update file (*.bin format) located on your local PC. After selecting the file, click the “Upgrade” button to begin the firmware update process. After the upgrade is complete, the unit will reboot automatically.

6.4.12 Time Settings Tab

This tab provides controls to set the system’s time, date, and time zone. After setting the system time, the unit will maintain the correct time, even when powered off, due to a battery backed up clock. If your country uses DST (Daylight Saving Time) you can enable or disable it here and configure the start and end times/dates so that your scheduled events will always occur at the correct times throughout the year.

Note: This unit has 48 hours of backup power for the internal clock to protect against power loss and blackouts. After the backup power is exhausted the system time will reset back to 2015/01/01 00:00:00.



- 1) **System Time:** The unit’s time and date can be manually configured here. Click in the empty box to open the time and date configuration screen and select the preferred values. After entering a new time and date, click the “Save” button to store it in the unit and start the clock running.
- 2) **Daylight Saving Time:** Enable or disable the use of DST adjustments for the unit’s time.

Note: Enabling Daylight Saving Time while outside the configured DST range will result in no change to the current time.

- **Start:** Set the month, week, day and time for the start of DST in the current time zone.
- **End:** Set the month, week, day and time for the end of DST in the current time zone.

6.5 Telnet Control

Before attempting to use Telnet control, please ensure that both the unit and the PC are connected to the same active networks.

Start your preferred Telnet/Console client, or use the built in client provided by most modern computer operating systems. After starting the client, connect by using the current IP address of the unit and port 23 (if the communication port number used by the unit has not been changed previously). This will connect us to the unit we wish to control and commands may now be entered directly.

Note 1: If the IP address of the unit is changed then the IP address required for Telnet access will also change accordingly.

Note 2: The default IP address is 192.168.1.50 and the default communication port is 23.

6.6 Serial and Telnet Commands

COMMAND
Description and Parameters
<p>help ←</p> <p>Show the full command list.</p>
<p>? ←</p> <p>Show the full command list.</p>
<p>help N1 ←</p> <p>Show details about the specified command.</p> <p>N1 = {Command Name}</p>
<p>ver ←</p> <p>Show the unit's current firmware version.</p>
<p>fadefault ←</p> <p>Reset the unit to the factory defaults.</p>
<p>eth_fadefault ←</p> <p>Reset the unit's network settings to the factory defaults.</p>
<p>reboot ←</p> <p>Reboot the unit.</p>
<p>ipconfig ←</p> <p>Show the unit's current IP configuration information.</p>
<p>sipmode N1 ←</p> <p>Set the IP address assignment mode.</p> <p>Available values for N1:</p> <p>STATIC [Static IP mode] DHCP [DHCP mode]</p>

COMMAND	
Description and Parameters	
setip N1,N2,N3 ←	
Set the unit's static IP address, netmask, and gateway address simultaneously.	
N1 = X.X.X.X	[X = 0~255, IP address]
N2 = X.X.X.X	[X = 0~255, Netmask]
N3 = X.X.X.X	[X = 0~255, Gateway address]
sipaddr N1 ←	
Set the unit's static IP address.	
N1 = X.X.X.X	[X = 0~255, IP address]
snetmask N1 ←	
Set the unit's static netmask.	
N1 = X.X.X.X	[X = 0~255, Netmask]
sgateway N1 ←	
Set the unit's static gateway address.	
N1 = X.X.X.X	[X = 0~255, Gateway address]
telnet_timeout N1 ←	
Enable or disable the unit's Telnet timeout.	
Available values for N1 :	
ON	[Enable the timeout]
OFF	[Disable the timeout]
ledblue N1 N2 ←	
Set the brightness level of the specified button's blue LED.	
N1 = 1~15	[Button number]
N2 = 0~100	[Brightness percentage]

COMMAND	
Description and Parameters	
ledred N1 N2 ←	<p>Set the brightness level of the specified button's red LED.</p> <p>N1 = 1~15 [Button number] N2 = 0~100 [Brightness percentage]</p>
ledblues N1 ←	<p>Set the brightness level of the blue LEDs on all buttons.</p> <p>N1 = 0~100 [Brightness percentage]</p>
ledreds N1 ←	<p>Set the brightness level of the red LEDs on all buttons.</p> <p>N1 = 0~100 [Brightness percentage]</p>
ledshow N1 ←	<p>Enable or disable the unit's LED demo mode.</p> <p>Available values for N1:</p> <p>ON [Enable LED demo mode] OFF [Disable LED demo mode] TOGGLE [Toggle the LED demo mode's state]</p>
backlight N1 ←	<p>Set the maximum global brightness level for all LEDs on all buttons.</p> <p>N1 = 0~100 [Brightness percentage]</p> <p><i>Note: The brightness settings for individual LEDs will treat this level as 100% and scale relative to that.</i></p>

COMMAND	
Description and Parameters	
key_press N1 N2 ←	<p>Set the macro activation style for the specified button.</p> <p>N1 = 1~15 [Button number]</p> <p>Available values for N2:</p> <p>RELEASE [Activates once upon button release]</p> <p>HOLD [Activates while button is held down]</p> <p><i>Note: In HOLD mode, the macro will continue to repeat as long as the button is held down.</i></p>
macro run N1 ←	<p>Run the specified macro.</p> <p>N1 = 1~60 [Macro ID number]</p>
macro stop ←	<p>Stop all currently running macros.</p>
macro stop N1 ←	<p>Stop the specified macro.</p> <p>N1 = 1~60 [Macro ID number]</p>
device add N1 N2 N3 N4 ←	<p>Add the specified Telnet device definition to the specified Device Slot.</p> <p>N1 = 1~16 [Device Slot number]</p> <p>N2 = X.X.X.X [X = 0~255, IP address]</p> <p>N3 = 0~65535 [Telnet port]</p> <p>N4 = {Device Name} [Up to 24 characters, no spaces]</p>

COMMAND
Description and Parameters
<p>device delete N1 ←</p> <p>Delete the specified Telnet Device definition.</p> <p>N1 = 1~16 [Device Slot number]</p>
<p>device N1 N2 ←</p> <p>Enable or Disable the specified Telnet Device.</p> <p>Available values for N1:</p> <p>ENABLE [Enable the Telnet Device]</p> <p>DISABLE [Disable the Telnet Device]</p> <p>N2 = 1~16 [Device Slot number]</p>
<p>SET_COND N1 N2 ←</p> <p>Assign a value to the specified Condition port(s).</p>
<p>set_cond N1 N2 ←</p> <p>Assign a value to the specified Condition port(s).</p> <p>N1 = 1~64 [Condition port number]</p> <p>N2 = 0~255 [Condition value]</p> <p><i>Note: Multiple values may be entered for N1 or N2 by separating the values with commas. Both sets must have the same number of values.</i></p>
<p>set_cond N1 ++ N2 N3 ←</p> <p>Set a temporary min/max value range for the specified Condition port(s) and increase the stored value by 1.</p> <p>N1 = 1~64 [Condition port number]</p> <p>N2 = 0~255 [Adjustment minimum value]</p> <p>N3 = 0~255 [Adjustment maximum value]</p> <p><i>Note: Multiple values may be entered for N1, N2 and N3 by separating the values with commas. All 3 sets must have the same number of values.</i></p>

COMMAND**Description and Parameters****set_cond N1 -- N2 N3↵**

Set a temporary min/max value range for the specified Condition port(s) and decrease the stored value by 1.

N1 = 1~64 [Condition port number]

N2 = 0~255 [Adjustment minimum value]

N3 = 0~255 [Adjustment maximum value]

Note: Multiple values may be entered for N1, N2 and N3 by separating the values with commas. All 3 sets must have the same number of values.

set_cond N1 led N2 N3↵

Bind the color of the specified button's LED to the specified Condition port's value.

N1 = 1~64 [Condition port number]

Available values for **N2**:

0 [Disable LED condition check]

1~15 [Button LED pair to control]

Available values for **N3**:

TRUE [Set LED to RED on "1" or BLUE on "0"]

FALSE [Set LED to RED on "0" or BLUE on "1"]

Note: Multiple values may be entered for N1, N2 and N3 by separating the values with commas. All 3 sets must have the same number of values.

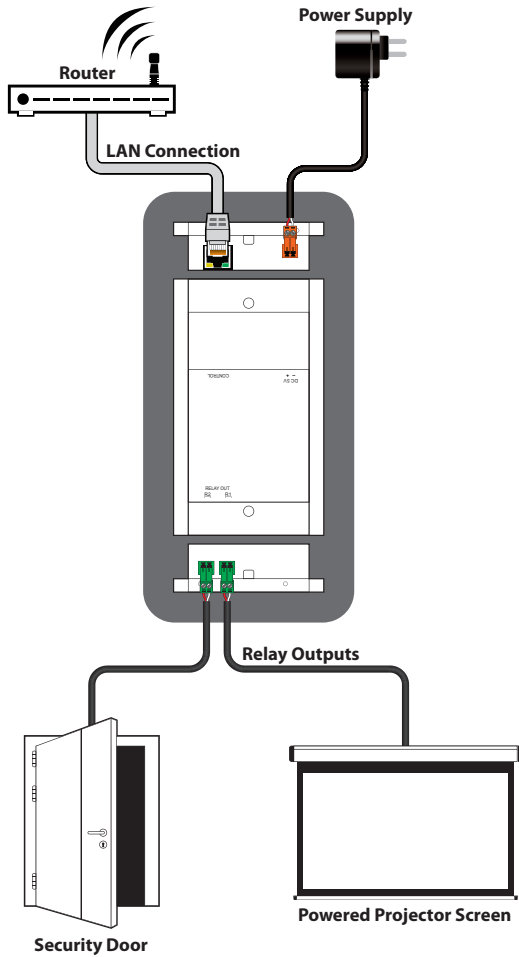
get_cond↵

List the current state of all Condition ports.

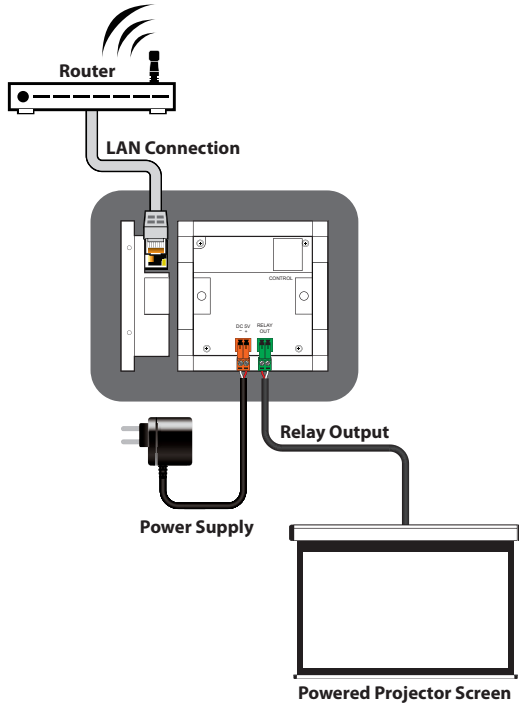
Note: Commands will not be executed unless followed by a carriage return. Commands are not case-sensitive.

7. CONNECTION DIAGRAM

7.1 UK 2-gang Diagram



7.2 UK 1-gang Diagram



8. SPECIFICATIONS

8.1 Technical Specifications (UK 2-gang)

Control Interface	15×LED Buttons
Pass-through Ports	2×Power Relay (2-pin Terminal Block)
Control Ports	1×LAN (RJ-45)
Service Port	1×USB 2.0 (Mini-B)
IR Frequency	30 ~ 50kHz (30 ~ 60kHz under ideal conditions)
Power Supply	PoE (802.3af) from LAN Port or 5V/2.6A DC (US/EU standards, CE/FCC/UL certified)
ESD Protection (HBM)	±8kV (Air Discharge) ±4kV (Contact Discharge)
Dimensions (W×H×D)	148.5mm×87mm×28mm [Case Only] 148.5mm×87mm×30mm [All Inclusive]
Weight	226g
Chassis Material	Metal (Steel), Plastic
Chassis Color	White
Operating Temperature	0°C – 40°C/32°F – 104°F
Storage Temperature	-20°C – 60°C/-4°F – 140°F
Relative Humidity	20 – 90% RH (Non-condensing)
Power Consumption	3.7W

8.2 Technical Specifications (UK 1-gang)

Control Interface	9×LED Buttons
Pass-through Ports	1×Power Relay (2-pin Terminal Block)
Control Ports	1×LAN (RJ-45)
Service Port	1×USB 2.0 (Mini-B)
IR Frequency	30 ~ 50kHz (30 ~ 60kHz under ideal conditions)
Power Supply	PoE (802.3af) from LAN Port or 5V/2.6A DC (US/EU standards, CE/FCC/UL certified)
ESD Protection (HBM)	±8kV (Air Discharge) ±4kV (Contact Discharge)
Dimensions (W×H×D)	87mm×87mm×31mm [Case Only] 87mm×87mm×34mm [All Inclusive]
Weight	184g
Chassis Material	Metal (Steel), Plastic
Chassis Color	White
Operating Temperature	0°C – 40°C/32°F – 104°F
Storage Temperature	-20°C – 60°C/-4°F – 140°F
Relative Humidity	20 – 90% RH (Non-condensing)
Power Consumption	3.9W

9. ACRONYMS

ACRONYM	COMPLETE TERM
ASCII	American Standard Code for Information Interchange
Cat.5e	Enhanced Category 5 cable
Cat.6	Category 6 cable
Cat.6A	Augmented Category 6 cable
Cat.7	Category 7 cable
CLI	Command-Line Interface
COM	Communication
DHCP	Dynamic Host Configuration Protocol
GUI	Graphical User Interface
IEEE	Institute of Electrical and Electronics Engineers
IP	Internet Protocol
LAN	Local Area Network
LED	Light-Emitting Diode
MAC	Media Access Control
PD	Powered Device
PoE	Power over Ethernet
TCP	Transmission Control Protocol
USB	Universal Serial Bus



CYP (UK) Ltd., Unit 7, Shepperton Business Park, Govett Avenue, Shepperton,
Middlesex, TW17 8BA

Tel: +44 (0) 20 3137 9180 | Fax: +44 (0) 20 3137 6279

Email: sales@cypeurope.com

www.cypeurope.com

v1.01