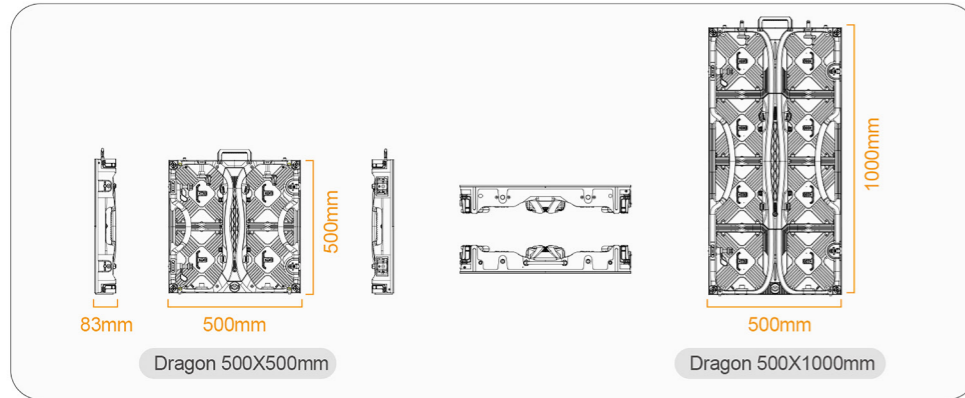


### PRODUCT DIAGRAM



### PROJECTS



### PRODUCT SPECIFICATIONS

Part Number	D1.9	D2.6(XR)	D2.6	D(O)2.9	D(O)3.9/DL(O)3.9	D(O)4.8/DL(O)4.8
Pixel pitch	1.9mm	2.6mm	2.6mm	2.9mm	3.9mm	4.8mm
Pixel configuration	1R1G1B	1R1G1B	1R1G1B	1R1G1B	1R1G1B	1R1G1B
Size of module	250*250mm/9.84*9.84inches					
Resolution of module	128*128	96*96	96*96	84*84	64*64	52*52
Resolution of cabinet	256*256	192*192	192*192	168*168	128*128/128*256	104*104/104*208
Density(dots/m <sup>2</sup> )	262144	147456	147456	112896	65536	43264
Size of cabinet	500*500*83mm			500*500/1000*83mm		
	19.69*19.69*3.27inches			19.69*19.69/39.37*3.27inches		
Cabinet material	Die-casting	Die-casting	Die-casting	Die-casting	Die-casting	Die-casting
Weight of cabinet	8.0KG/17.6lbs			8.0KG/14KG 17.6 lbs/30.8lbs		
Max power consumption	450W/m <sup>2</sup>	450W/m <sup>2</sup>	450W/m <sup>2</sup>	600W/m <sup>2</sup>	600W/m <sup>2</sup>	600W/m <sup>2</sup>
Average power consumption	150W/m <sup>2</sup>	150W/m <sup>2</sup>	150W/m <sup>2</sup>	200W/m <sup>2</sup>	200W/m <sup>2</sup>	200W/m <sup>2</sup>
Gray scale	14-16bits	18bits	16bits	14bits	16bits/13bits	16bits/13bits
Refresh frequency	≥3840Hz	≥7680Hz	≥3840Hz	≥3840Hz	≥3840Hz	≥3840Hz
Brightness	800cd/m <sup>2</sup>	1500cd/m <sup>2</sup>	800cd/m <sup>2</sup>	4000cd/m <sup>2</sup>	4000cd/m <sup>2</sup>	4000cd/m <sup>2</sup>
Brightness control	256 grade	256 grade	256 grade	256 grade	256 grade	256 grade
IP grade	IP30	IP30	IP30	IP65	IP65	IP65



### S2CEB

3 avenue Jeanne Garnerin  
Bâtiment le Cormoran  
91320 Wissous

01 69 79 14 15  
s2ceb@cae-groupe.fr

# SERIES DRAGON

INDOOR AND OUTDOOR RENTAL APPLICATION



High contrast ratio

Curve function

High-precision

Easy installation

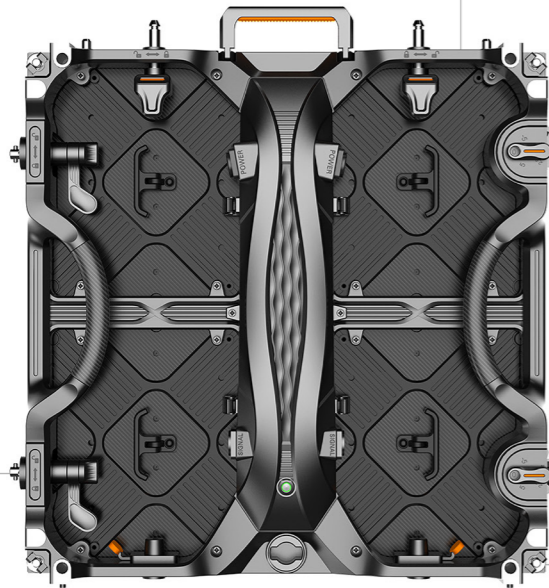
Fast maintenance

# SERIES DRAGON

INDOOR AND OUTDOOR RENTAL APPLICATION



## CORE ADVANTAGES



### FASTER

- Universal module, no need to distinguish left/right or up/down modules.
- 3 in 1 power box: Hub card, receiving card and power supply are integrated in one unit box.



### CREATIVE

- The cabinet can be installed in convex and concave screens.
- 5°, -2.5°, 0°, 2.5°, 5°
- 90° corner.



### STRONGER

- Special protector at 4 corners.
- Bottom heel design: Keep the cabinet not directly touch the ground.
- Anti-collision series: Customized led can enhance the anti-collision ability while ensuring the display effect of the screen.

### INSTALLATION FEATURE

- Automatic lock for single person quick operation, upgraded curved lock for more convenient installation.



## HIGH CONTRAST RATIO



Regular panel



Dragon panel

## MULTIPLE INSTALLTION SOLUTION



Upgrade curve



Upgrade corner

Upgraded curve & 90° corner provide high rigidity and precision for convex and concave screens.



Support hanging



Floor installtion with steel structure